

# ***Snap-on Equipment***

## **ADJUSTABLE AIR-HYDRAULIC SLIDING JACKBEAM 7000 lbs.**

**(217)**

### **INSTALLATION AND OPERATION MANUAL**

---

**SAVE ALL INSTRUCTIONS  
READ ALL INSTRUCTIONS  
THOROUGHLY BEFORE  
INSTALLING, OPERATING,  
SERVICING, OR MAINTAINING  
THE LIFT.**

***Snap-on Equipment***

65000 Millcreek Drive, Mississauga, Ontario, L5N 2W6  
Tel: (905) 826-8600  
Fax: (905) 826-7800

**SEPT 2010 REV.- 6-3028**

## JACKING BEAM INSTALLATION AND OPERATION MANUAL

The jacking beam should only be used with lifts installed on level concrete floors conforming to the installation instructions for the lift. Consult lift installation instructions for concrete thickness and strength requirements. Ensure clearance around and above lift conforms to installation instructions for the lift.



**ATTENTION!** This lift is intended for indoor installation only. It is prohibited to install this product outdoors. Operating environment temperature range should be 41 – 104 °F (5 – 40 °C). Failure to adhere will result in decertification, loss of warranty, and possible damage to the equipment.

Installation of lifts shall be performed in accordance with ANSO/ALI ALIS, Safety Requirements for Installation and Service of Automotive Lifts

For additional safety instructions regarding lifting, lift types, warning labels, preparing to lift, vehicle spotting, vehicle lifting, maintaining load stability, emergency procedures, vehicle lowering, lift limitations, lift maintenance, good shop practices, installation, operator training and owner/employer responsibilities, please refer to “Lifting It Right” (ALI/SM) and “Safety Tips” (ALI/ST).

For additional instruction on general requirements for lift operation, please refer to “Automotive Lift-Safety Requirements For Operation, Inspection and Maintenance” (ANSI/ALI ALOIM).

+ 070126-Quadra-WLSIAO1

### SAFETY INSTRUCTIONS

If attachments, accessories or configuration modifying components that are located in the load path, affect operation of the lift, affect the lift electrical listing or affect intended vehicle accommodation are used on this lift and, if they are not certified for use on this lift, then the certification of this lift shall become null and void. Contact the participant for information pertaining to certified attachments, accessories or configuration modifying components.

[www.autolift.org](http://www.autolift.org)

©2007 by ALI, Inc.

ALI / WLSIAO1

## Table of Contents

|  |    |
|--|----|
| 1.0 Specifications .....                         | 4  |
| 2.0 Shipping Contents .....                      | 5  |
| 3.0 Positioning of Jacking Beam on Lift .....    | 5  |
| 4.0 Air Connection.....                          | 6  |
| 5.0 Positioning of Vehicle on Jacking Beam ..... | 7  |
| 6.0 Raising the Jack Beam .....                  | 8  |
| 7.0 Lowering the Jack Beam.....                  | 8  |
| 8.0 Recommended Maintenance .....                | 8  |
| 9.0 JACKING BEAM ASSEMBLY 7000 LBS.....          | 9  |
| 10.0 AIR / HYDRAULIC PUMP .....                  | 12 |

## 1.0 Specifications

Maximum Capacity:

Width Rail to Rail:

Down Position Height:

Maximum Raised Height:

Power Requirements:

Shipping Weight:

|                       |                   |
|-----------------------|-------------------|
| 7000 lbs              | 3175 kg           |
| 38" to 42"            | 965 mm to 1067 mm |
| 10-1/2"               | 267 mm            |
| 20-7/8"               | 530 mm            |
| 90 – 120 psi Shop Air |                   |
| 329 lbs               | 149 kg            |

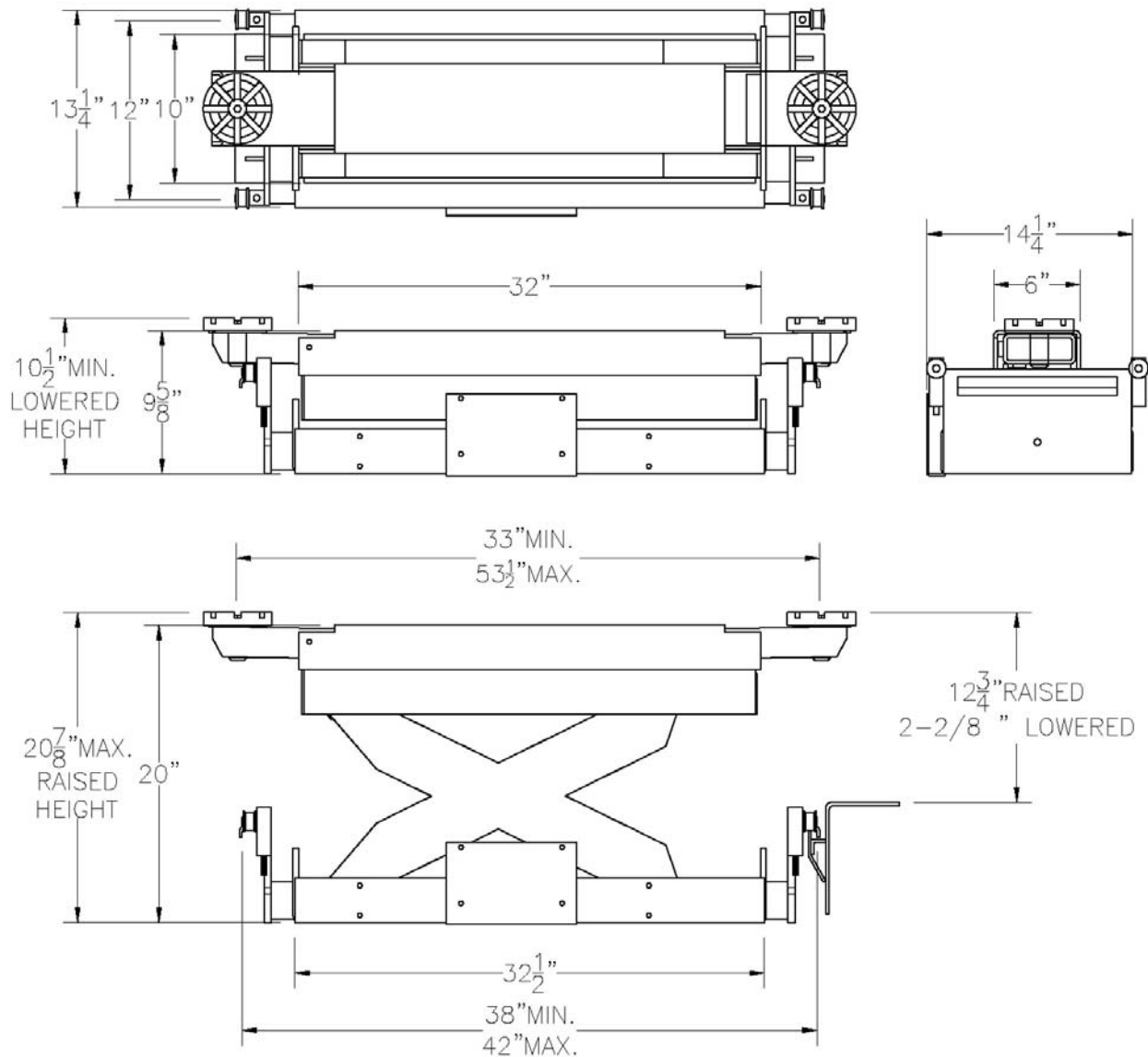


Figure 1- Jacking beam plan and elevation views

## 2.0 Shipping Contents

The jacking beam is fully assembled and packaged to protect it from any damage that may occur during shipping. Included are the following components:

- Jacking beam assembly, including:
  - Jacking Beam Body
  - Lifting Arms
  - Roller Adapters
  - Air/Hydraulic Pump
- Jacking Beam Keeper Kit
- Stack Pads & Adapters
- Installation & Operation Manual

## 3.0 Positioning of Jacking Beam on Lift

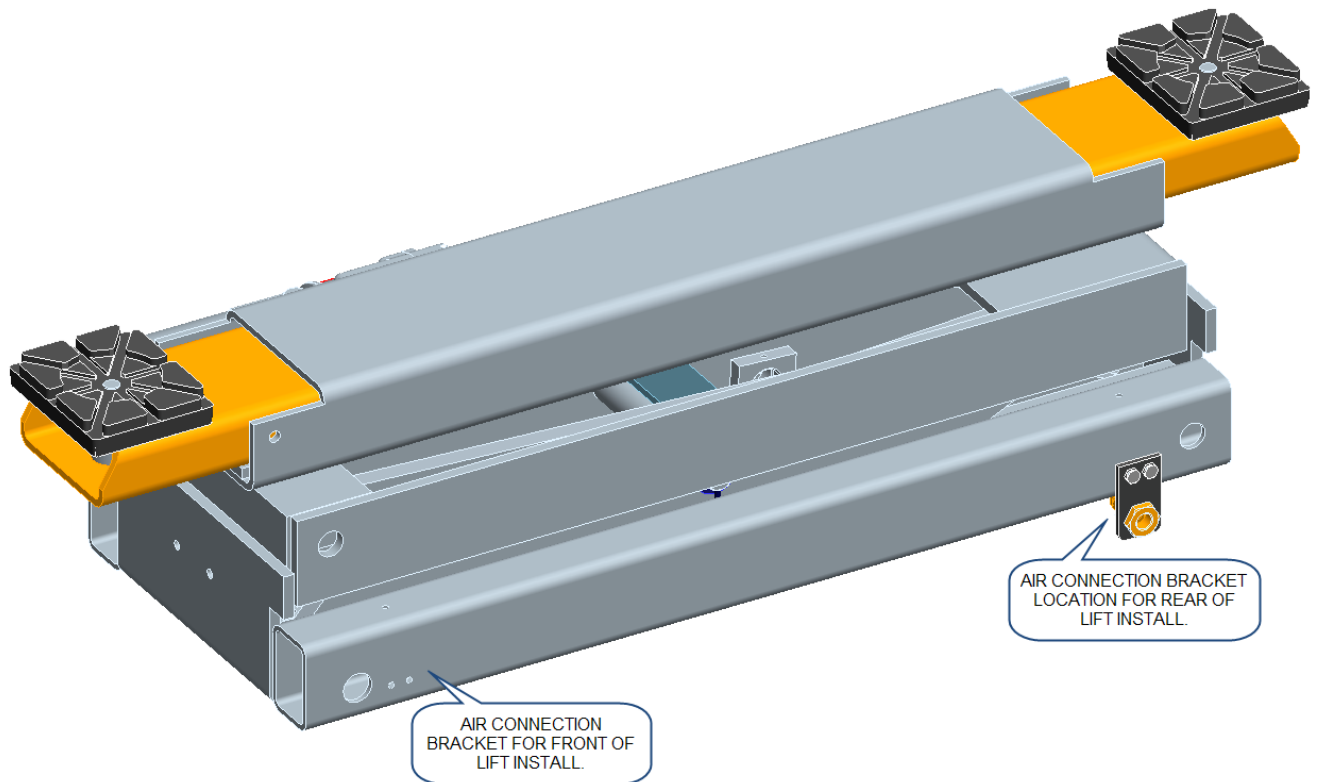
1. The Jackbeam must be positioned on the lift correctly prior to usage. The pump side of the Jackbeam should face outwards.
2. Extend each Roller Adapter from the base of the Jackbeam and place on lift with rollers centered on the Jackbeam rails.
3. To ensure that the Jackbeam is centered between the decks, the adapters must be equally spaced on both sides of the base. Tighten top screws,

**NOTE: DO NOT EXTEND ADAPTERS MORE THAN 3" FROM BASE. SAFETY STOP SCREWS ARE PROVIDED.**

4. Slide the Jackbeam on onto rail from front and/or rear of lift.
5. Adjust the keeper bolts located at sides of Jackbeam to ensure they are unscrewed to a distance, just below the Jackbeam rail. These are to keep the Jackbeam secured to the rail.

## 4.0 Air Connection

6. The jacking beam must be connected to the air supply in order to operate. There are (2) two configurations for the air supply to be connected.
  - a. The Jackbeam is shipped pre-assembled to install at the front of the lift. The air connection bracket is on the rear left side of the Jackbeam.
  - b. To install the Jackbeam at the rear of the lift, the air connection bracket must be removed and reinstalled on the rear right side. Disconnect the 3/8" polytube, reroute, cut to length and reinstall.



7. Attach the recoil hose to the bulkhead fitting on the Jackbeam and the other end to the bulkhead fitting on the side of the lift runway.

**NOTE: The Jackbeam is to be used on a lift with air connections located at the center of the runway. If your lift is equipped with air connections at the ends of the runway, Relocation Kit #01691 can be used.**

8. Prior to placing vehicle on lift, raise and lower the Jackbeams multiple times and check for air and hydraulic leaks. See sections 6.0 Raising the Jack Beam and 7.0 Lowering the Jack Beam for operation instructions.

**NOTE: Keep the air source clean and make certain that an air filter/oiler is used to keep dirt out of the air motor. Failure to provide clean air may void manufacturer's warranty.**

## 5.0 Positioning of Vehicle on Jacking Beam

1. The vehicle must be positioned correctly on the lift prior to raising the vehicle with the jacking beam.

**LIFTING AN IMPROPERLY POSITIONED VEHICLE WITH THE JACKBEAM INCREASES THE POSSIBILITY OF ONE DECK LEADING OR LAGGING THE OTHER DECK.**

**NOTE:** USE ONLY THE SAME LIFTING PADS ON BOTH ARMS.

2. Move the jacking beam to the desired pickup area and connect the air line (if not permanently connected).

**NOTE:** EASE OF POSITIONING WHILE JACKING BEAM IS NOT UNDER LOAD IS DUE TO THE TRACK ROLLER ASSEMBLIES. THE ROLLER ASSEMBLIES ARE SPRING LOADED TO CARRY THE WEIGHT OF THE JACK ONLY. WHEN THE JACKING BEAM IS UNDER LOAD THE JACK RESTS ON ITS STRUCTURE AND CANNOT BE MOVED.

3. With the jacking beam positioned at the desired working location, select the proper lifting pads. Insert the lifting pads into the arms.

**NOTE:** LIFT VEHICLE AT MANUFACTURER'S RECOMMENDED PICKUP POINTS ONLY. PLEASE REFER TO "LIFTING IT RIGHT" (ALI/SM).

4. With the vehicle's center of gravity equally spaced between the decks, the jacking beam can be used to lift the vehicle. Select lifting points that are the same distance from the centerline of the vehicle, i.e. position the jack beam pads so that they make contact at the same point on each side of the vehicle.

## 6.0 Raising the Jack Beam

1. Press the up button and hold until jacking beam is at full working height and the automatic safety is in place. Lower the jack beam onto the safety (Note: there are two safety stops to allow multiple working heights).

**NOTE: NEVER WORK ON A VEHICLE UNLESS THE SAFETY LOCK IS ENGAGED AND THE JACKING BEAM CANNOT BE LOWERED.**

## 7.0 Lowering the Jack Beam

1. To lower the jacking beam, first raise the jack up off the mechanical safety lock and release the safety lock using the safety release lever.

**NOTE: THE SAFETY LEVER MUST BE MANUALLY HELD IN THE RELEASED POSITION.**

2. Press the control handle to release pressure allowing the jacking beam to lower to its full down position.
3. Never operate a jacking beam that is not in proper working order or in a manner not recommended by the vehicle or jacking beam manufacturer.

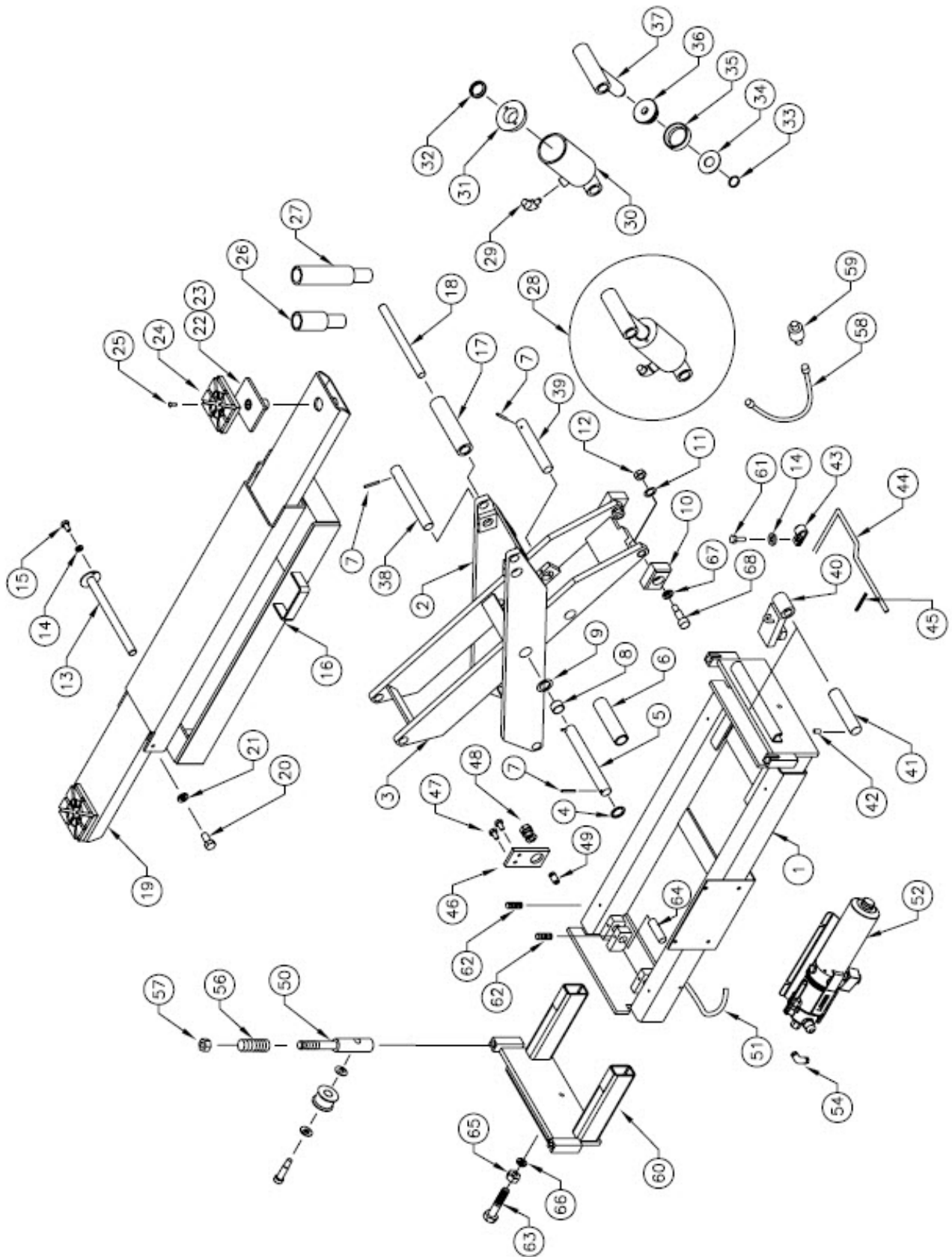
**ALWAYS ENSURE THAT THE MECHANICAL SAFETY IS ENGAGED WHENEVER A VEHICLE IS SUPPORTED BY THE JACKING BEAM.**

## 8.0 Recommended Maintenance

1. Inspect the jacking beam on a daily basis to ensure the jacking beam is in proper working condition.
2. Make certain that the automatic safety drops into place when the jacking beam is raised and that it will release when held in the down position during lowering.
3. Check the hydraulic fluid when jacking beam is in the lowered position by removing the filler breather cap.
4. Keep the air source clean and make certain that an air filter is used to keep dirt out of the air motor.
5. Keep the entire jacking beam as clean as possible at all times.
6. To maintain a clean shop air supply, (oil, lube, filter and regulator) should always be in good working order in conjunction with the use of an oiler/seperator.



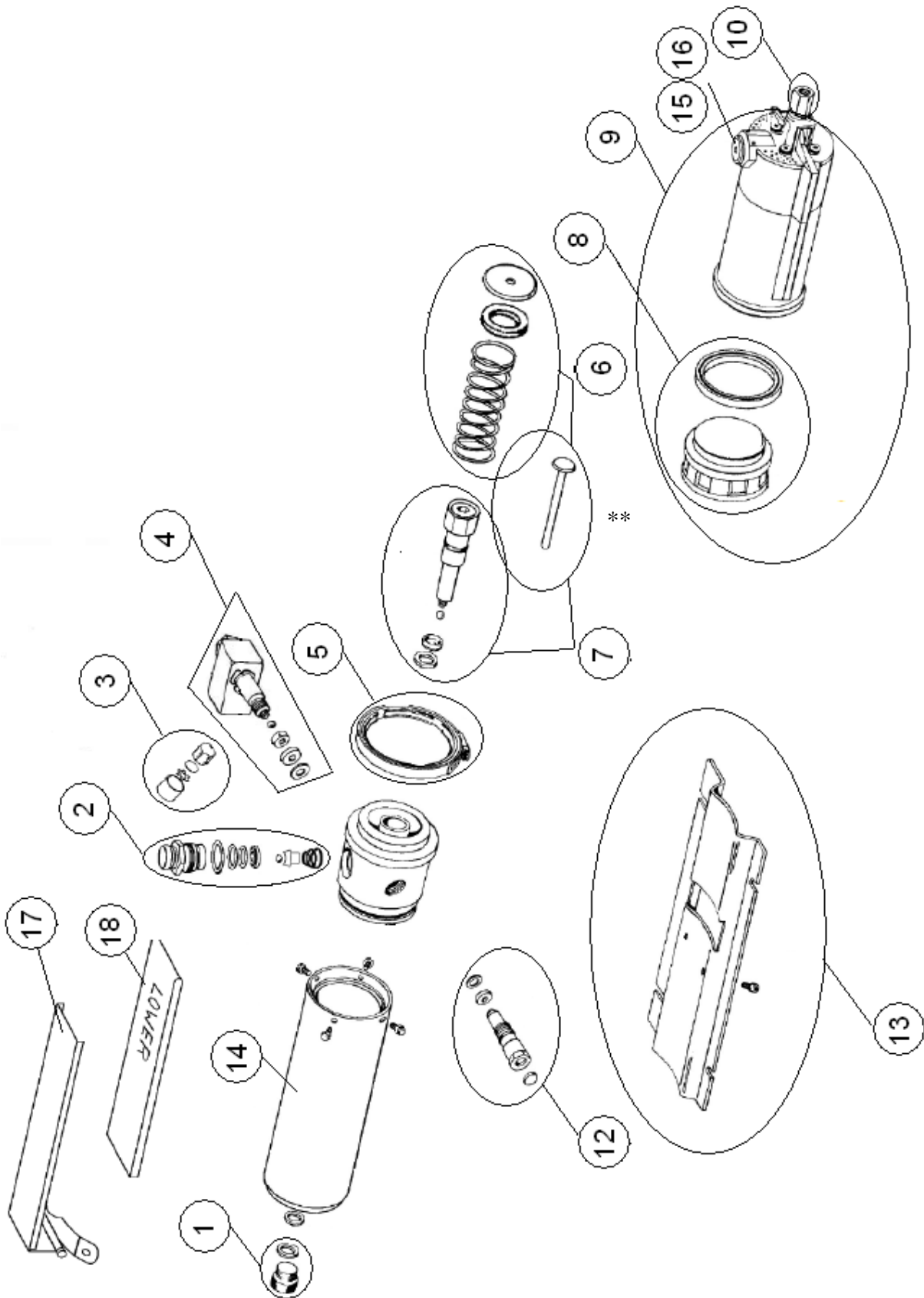
## 9.0 JACKING BEAM ASSEMBLY 7000 LBS.



| ITEM | QTY. | DESCRIPTION                              | PART #  |
|------|------|--|---------|
| 1    | 1    | BASE FRAME WELDMENT                      | 3-0842  |
| 2    | 1    | OUTER SCISSOR WELDMENT                   | 3-0824  |
| 3    | 1    | INNER SCISSOR WELDMENT                   | 3-0825  |
| 4    | 1    | WASHER, 1 1/32" ID                       | 6-0807  |
| 5    | 1    | SCISSOR CENTER SHAFT                     | 1-2270  |
| 6    | 1    | CENTER PIPE SPACER                       | 1-0575  |
| 7    | 4    | SPRING PI, 3/16" X 2" LG                 | 6-0146  |
| 8    | 4    | BUSHING                                  | 6-2320  |
| 9    | 2    | THRUST WASHER                            | 6-0328  |
| 10   | 2    | CAM FOLLOWER                             | 1-1269  |
| 11   | 2    | SPACER                                   | 1-0228  |
| 12   | 2    | JAM NUT, 5/8"-NF                         | 6-0040  |
| 13   | 1    | UPPER SCISSOR PIN                        | 1-1999  |
| 14   | 2    | LOCKWASHER, 1/4" ID                      | 6-0056  |
| 15   | 1    | SET SCREW 1/4 -20 X 1 1/2                | 6-0438  |
| 16   | 1    | TOP WELDMENT                             | 3-0725  |
| 17   | 1    | ROLLER ASSEMBLY                          | 1-1997  |
| 18   | 1    | ROLLER SHAFT                             | 1-1998  |
| 19   | 2    | LIFTING ARM WELDMENT                     | 2-1572  |
| 20   | 2    | HEX HD BOLT, 3/8"-NC X 3/4" LG           | 6-0030  |
| 21   | 2    | LOCKWASHER, 3/8" ID                      | 6-0058  |
| 22   | 2    | STACK PAD ASSEMBLY COMPLETE              | 1-3278  |
| 23   | 2    | STACK PAD WELDMENT                       | 2-2514  |
| 24   | 2    | RUBBER PAD                               | 3-0872  |
| 25   | 2    | ALLEN HD FLAT SCREW 1/4" - 20 X 3/4" LG. | 6-1086  |
| 26   | 2    | STACK PAD ADAPTER, 3"                    | 1-3280  |
| 27   | 2    | STACK PAD ADAPTER, 6"                    | 2-1580  |
| 28   | 1    | CYLINDER ASSEMBLY COMPLETE               | 3-0474  |
| 29   | 1    | VELOCITY FUSE                            | 1-1726  |
| 30   | 1    | CYLINDER TUBE WELDMENT                   | 2-0911  |
| 31   | 1    | GLAND                                    | 1-1152  |
| 32   | 1    | ROD WIPER                                | 6-0653  |
| 33   | 1    | SNAP RING                                | 6-0581* |
| 34   | 1    | KEEPER WASHER                            | 1-1148* |
| 35   | 1    | SEAL AND WEAR RING                       | 6-2915* |
| 36   | 1    | PISTON                                   | 1-1150  |
| 37   | 1    | PISTON ROD WELDMENT                      | 2-0913  |
| 38   | 1    | OUTSIDE CYLINDER SHAFT                   | 1-1158  |
| 39   | 1    | INSIDE CYLINDER SHAFT                    | 1-1163  |
| 40   | 1    | SAFETY STOP WELDMENT                     | 2-1577  |
| 41   | 1    | SAFETY PIN                               | 1-0561  |
| 42   | 2    | SET SCREW, 1/4"-NC X 3/4" LG             | 6-0438  |
| 43   | 2    | SAFETY LEVER CLAMP                       | 6-3959  |
| 44*  | 1    | SAFETY LEVER ARM                         | 1-3203  |
| 45*  | 1    | ROLL PIN                                 | 6-0146  |
| *    | 1    | SAFETY LEVER ASSEMBLY                    | 1-3203  |
| 46   | 1    | AIR JACK BRACKET                         | 1-3648  |

|      |       |   |        |
|------|-------|---|--------|
| 47   | 2     | HEX HEAD BOLT, ¼"-20 UNC x ½" LG  | 6-0126 |
| 48   | 1     | TERMINAL BOLT ¾", SHORT   | 6-0713 |
| 49   | 1     | ADAPTER 3/8" POLY – ¼" NPT  | 6-0710 |
| 50   | 4     | ROLLER ASSEMBLY COMPLETE  | 2-0259 |
| 51   | 2ft   | 3/8" POLYTUBE   | 8-0142 |
| 52   | 1     | AIR/HYDRAULIC PUMP COMPLETE   | 6-1428 |
| 54   | 1     | ELBOW, 1/4" NPT-M x 3/8" POLY PUSHLOCK  | 6-3010 |
| 56   | 4     | SPRING  | 6-0081 |
| 57   | 4     | NYLON LOCKNUT, 3/8"-NC  | 6-0042 |
| 58   | 1     | HYDRAULIC HOSE  | 1-0765 |
| 59   | 1     | ADAPTER, 3/8"NPT-M x 3/8"JIC-M  | 6-0011 |
| 60   | 2     | ROLLER ADAPTER  | 3-0914 |
| 61   | 2     | BUTTON HD SCREW, ¼" X ¾" LG   | 6-2565 |
| 62   | 4     | SET SCREW ¼"-20UNC x ½" LG  | 6-0438 |
| 63   | 2     | HEX HD. BOLT ½"-13UNC x 1 ¾" LG. G5   | 6-0047 |
| 64   | 2     | LOWER SCISSOR PIN   | 1-2361 |
| 65   | 2     | HEX NUT, 1/2"-13UNC   | 6-0035 |
| 66   | 2     | LOCK WASHER, 1/2"ID   | 6-0059 |
| 67   | 2     | SPACER, GLIDE BLOCK   | 1-3778 |
| 68   | 2     | SHOULDER BOLT, 5/8" X 1-14"LG   | 6-3958 |
|      |       |   |        |
| NOTE | 1     | SCISSOR ASSEMBLY COMPLETE   | 3-0826 |
|      | NOTE: | PART NUMBERS MARKED WITH AN ASTERIX (*) ARE CONTAINED IN REPAIR KIT NUMBER 0-1287 |        |

## 10.0 AIR / HYDRAULIC PUMP



| <b>ITEM</b> | <b>QTY.</b> | <b>DESCRIPTION</b>          | <b>PART #</b> |
|-------------|-------------|-----------------------------|---------------|
| 1           | 1           | RESEVOIR CAP ASSEMBLY       | 6-3348        |
| 2           | 1           | RELEASE GUIDE ASSEMBLY      | 6-3349        |
| 3           | 1           | FLOW RESTRICTOR ASSEMBLY    | 6-3350        |
| 4           | 1           | COUPLER ASSEMBLY            | 6-3351        |
| 5           | 1           | COUPLING V-RETAINER         | 6-3352        |
| 6           | 1           | PLUNGER & SPRING KIT        | 6-3353        |
| 7           | 1           | HYDRAULIC CYLINDER ASSEMBLY | 6-3354        |
| 8           | 1           | AIR PISTON ASSEMBLY         | 6-3355        |
| 9           | 1           | AIR MOTOR ASSEMBLY          | 6-3356        |
| 10          | 1           | COUPLER KIT                 | 6-3357        |
| 12          | 1           | RELIEF VALVE ASSEMBLY       | 6-3359        |
| 13          | 1           | BASE                        | 6-3360        |
| 14          | 1           | RESERVOIR                   | 6-3361        |
| 15          | 1           | POPPET GUIDE ASSEMBLY       | 6-3365        |
| 16          | 1           | BOOT                        | 6-3368        |
| 17          | 1           | HANDLE                      | 6-3366        |
| 18          | 1           | RUBBER SLEEVE               | 6-3367        |

\*\* Plunger is included in both kits 6-3353 and 6-3354.